



**RUSSIAN FEDERATION  
MINISTRY OF TRANSPORT OF RUSSIAN FEDERATION  
FEDERAL AIR TRANSPORT AGENCY**

## **AIRWORTHINESS DIRECTIVE**

05 August, 2019

Ref. No. 2019-FATA-01020A-06

Applicability – RRJ-95 aircraft

State of Design – Russian Federation

---

Corrective actions described herein are mandatory. No operator may operate an aircraft to which this AD applies, except in accordance with the requirements hereof.

---

In the course of implementation of AD Nos. 2019-322-03 and 2019-322-05 on RRJ-95 A/C fleet (hereinafter – A/C) cracks on inner ring of a bearing of link of track of a slat section 1 have been revealed. In order to timely detect and eliminate the identified non-conformity as regards to link of track of a slat section

### **WE PROPOSE:**

1. During the weekly WY-Check/8 DY on RRJ-95 A/C MSN 95030, 95037 and 95116-95220 to perform inspections of links of tracks (See Fig.1 (items1,2) and Fig.2 (item 3) and bearings of links of tracks of sections 2, 3 and 4 of a slat of LH and RH outer wing in accordance with provisions of p. 4. Б. (2) and (6) of AMM Tasks Nos. 57-43-00-220-802, 57-44-00-220-802 and 57-45-00-220-802 until the implementation of SB No. RRJ-57-00451-BD “Wing – Replacement of link of track of a slat section”.

NOTE: Until next scheduled AMM revision – to be guided by AMM Tasks Nos. 57-43-00-220-802, 57-44-00-220-802 and 57-45-00-220-802 dd June 28, 2019, distributed via Information Letter No. 57-0824-19.

2. During the weekly WY-Check/8 DY on RRJ-95 A/C MSN 95007-95220 to perform one-time inspection of links of tracks (See Fig.3 (items16, 27 and 31) and bearings of links of tracks of section 1 of a slat of LH and RH outer wing in accordance with provisions of p. 4. Б. (2) and (6) of AMM Tasks Nos. 57-42-00-220-802.

3. In case of finding a crack of link of track and/or destruction and/or press-out of the bearing of link of track of sections 1, 2, 3 and 4 of a slat of LH and RH outer wing following the results of implementation of p.1 and 2 of this AD – to replace the damaged track link assembly (link of track and bearing):

- For slat section 1 – to replace with the current configuration of link of track of section 1 of a slat, IAW AMM Task No. 57-42-00-900-804.

- For slat sections 2,3 and 4 – to replace with the configuration of link of track of sections 2, 3 and 4 of a slat IAW identification information in Table 1 and IAW AMM Tasks Nos. 57-43-00-900-804, 57-44-00-900-804 and 57-45-00-900-804.

NOTE:

1. Replacement of the damaged link of track of sections 2, 3 and 4 of a slat with the current configuration is allowed subject to continuation of inspections IAW with provisions of p.1 of this AD

2. Presence of two or more cracks on one inner ring of the bearing of link of track is considered as destruction of the bearing.

4. After replacement of the track link assembly of sections 2, 3 and 4 of a slat to continue the inspections of link of track of the aforementioned sections of a slat of LH and RH outer wing during the weekly WY-Check/8 DY IAW with provisions of p.1 hereof and with consideration to the following conditions:

- In case of partial replacement of track link assembly – inspections are to be performed in full scope, including inspection of the replaced items;

- In case of full replacement of the track link assemblies SB No. RRJ-57-00451-BD “Wing – Replacement of link of track of a slat section” to be considered as implemented, the inspections shall be performed IAW MPD requirements.

5. The results of implementation of the provisions of paragraphs 1,2,3 of this AD shall be sent to SCAC’s Operational Situation Center [customercare@scac.ru](mailto:customercare@scac.ru).

6. This Airworthiness Directive shall supersede Airworthiness Directive No. 2019-322-03.

Table 1.

Track No.	Installed on AC	Install in replacement of	Applicability
3	T7.92.3621.515.000.70/A	T7.92.3621.515.100.70/A	95030, 95037, 95116-95220
3, 5	T7.92.3621.520.000.70/A	T7.92.3621.520.100.70/A	95030, 95037, 95116-95220
4	T7.92.3621.615.000.70/A	T7.92.3621.615.105.70/A	95030, 95037, 95116-95144
4	T7.92.3621.615.000.70/B	T7.92.3621.615.100.70/A	95145-95220
5	T7.92.3621.525.000.70/A	T7.92.3621.525.100.70/A	95030, 95037, 95116-95220
6	T7.92.3631.615.000.70/A	T7.92.3631.615.100.70/A	95030, 95037, 95116-95220
7	T7.92.3631.515.000.70/A	T7.92.3631.515.100.70/A	95030, 95037, 95116-95220
7	T7.92.3631.520.000.70/A	T7.92.3631.520.100.70/A	95030, 95037, 95116-95220
8	T7.92.3641.615.000.70/A	T7.92.3641.615.100.70/A	95030, 95037, 95116-95220
9	T7.92.3641.515.000.70/A	T7.92.3641.515.100.70/A	95030, 95037, 95116-95220
9	T7.92.3641.520.000.70/A	T7.92.3641.520.100.70/A	95030, 95037, 95116-95220

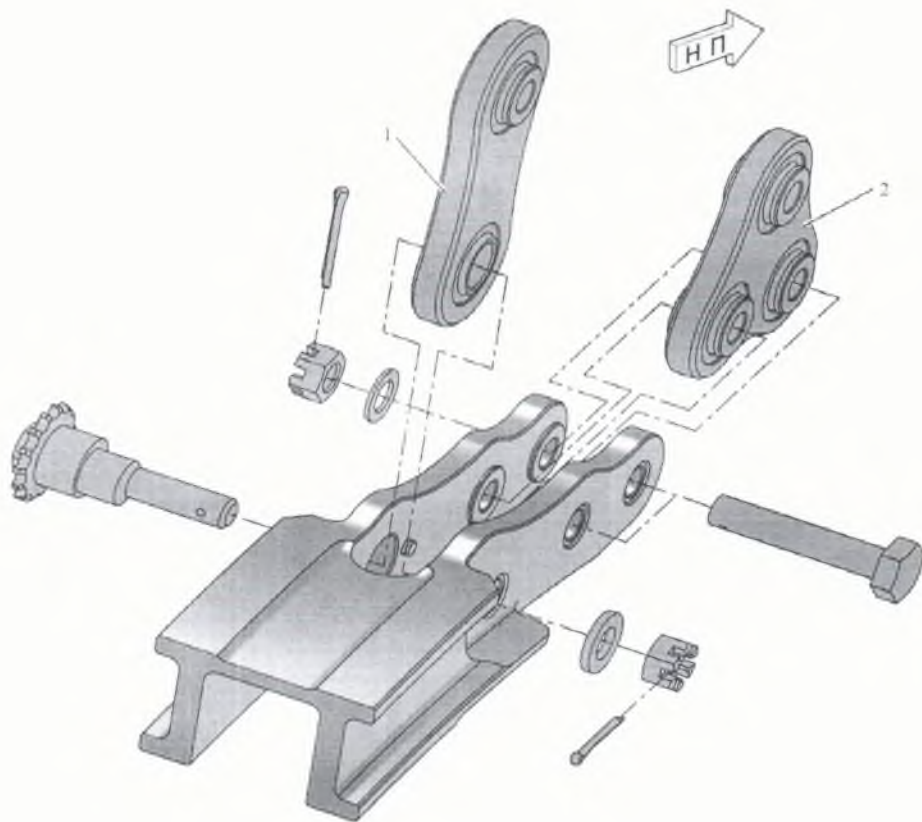


Fig.1

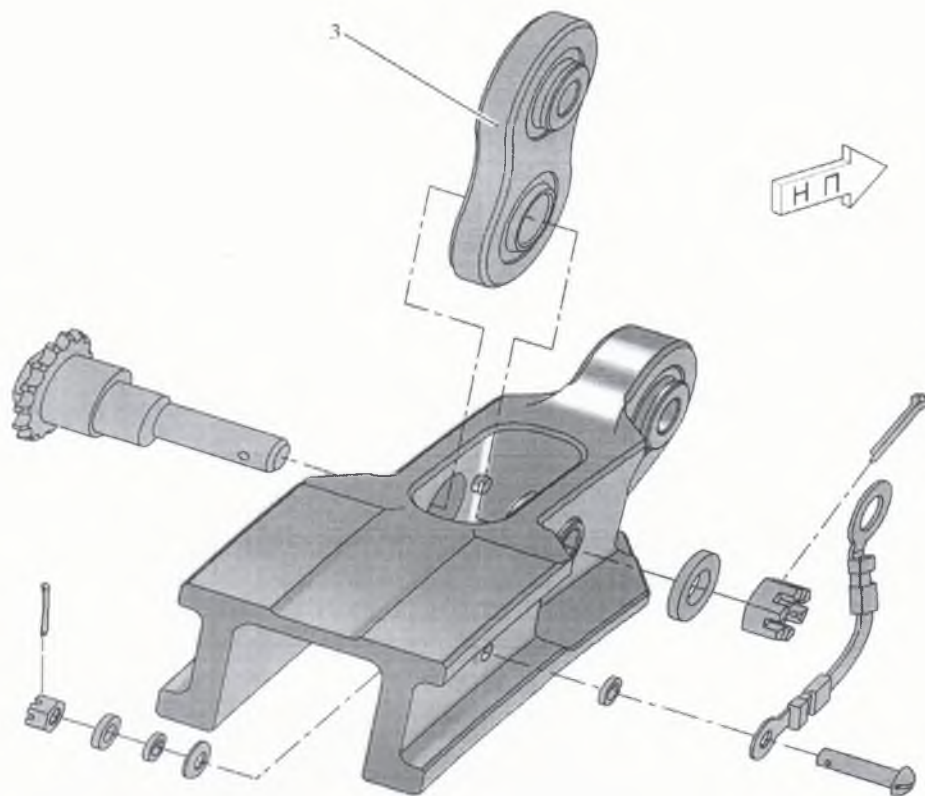


Fig.2

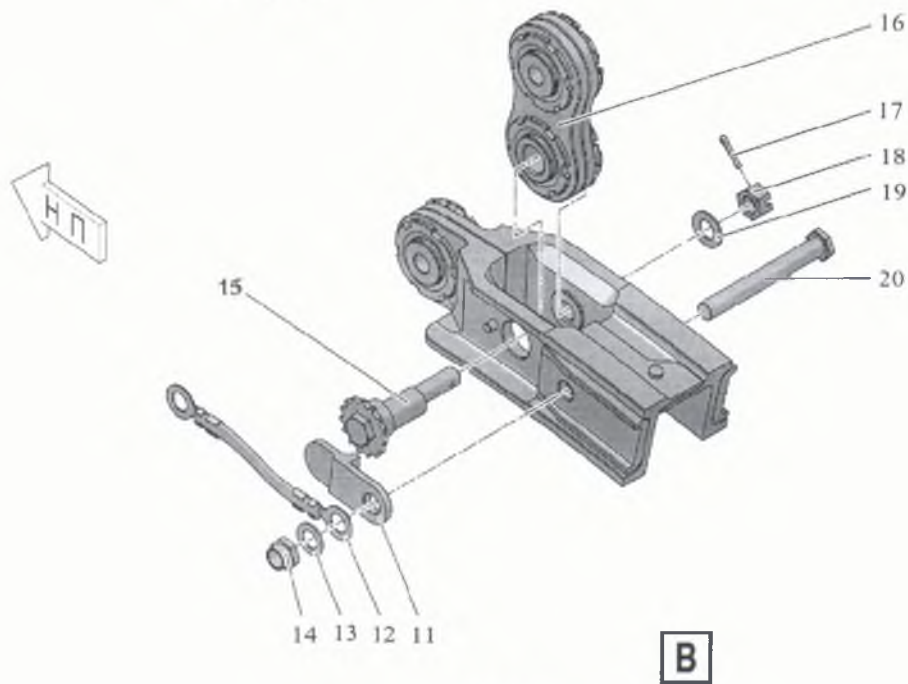
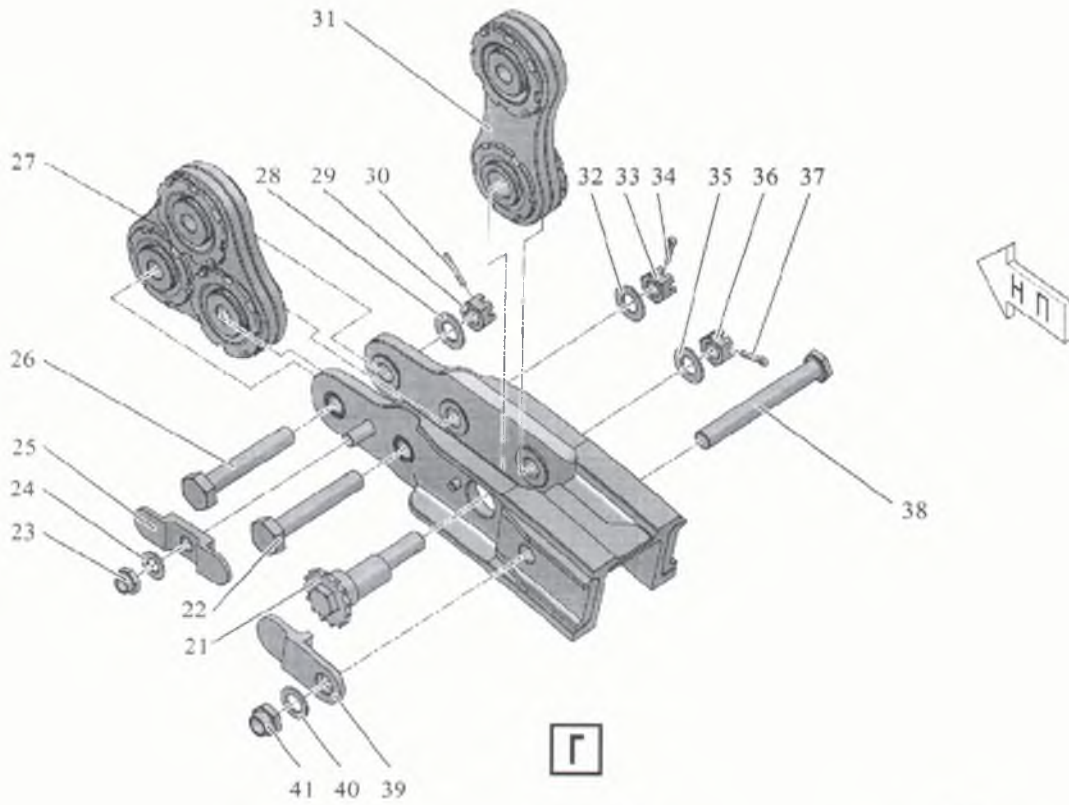


Fig.3

ITK\_RRJ\_AMM\_57\_42\_00\_900\_904\_003\_A01\_E

Appendix: Technical Decision No. RRJ0000-OR-470-3016/A on 5 pages in 1 copy.

Deputy Director  
Federal Air Transport Agency

A. Novgorodov